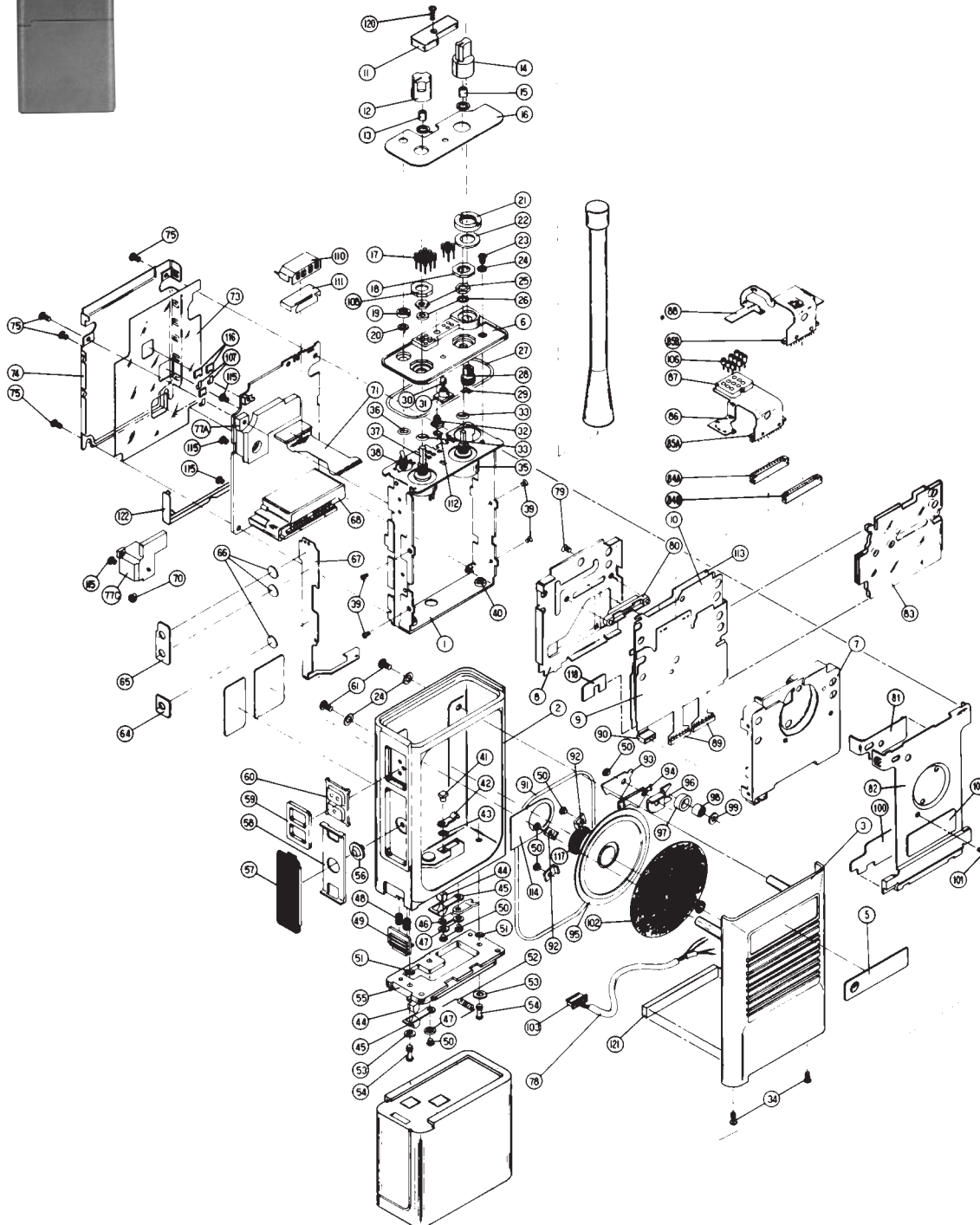




**MOTOROLA**

*HT600 Series*

*Parts List*





# MOTOROLA

## HT600 Series

# Parts List

REF. NO.	PART NO.	DESCRIPTION
1	0105956M63	Assembly, Frame; includes: *Item 1 Frame *Item 40
2	0105955N18	Assembly, Housing; includes: *Item 2 Housing *Items 56, 58, 59, and 60
3	1505527P01	Cover, Front
5	3305543P01	Nameplate, Front
6	0105951N41	Assembly, Top Control Panel; includes: *Item 6 Panel *Items 17, 28, 29, and 32
7	1505185Q01	Carrier, Flex Top
8	2605764R01	Shield, Bottom
9	REX1020A	Assembly, Controller Flex; includes: *Item 9 Controller Flex *Items 10, 80, 84, 89, and 90 (The Controller Flex Assembly also includes electrical parts. See Note)
10	See Note	*Shield, Center; part of item 9
11	0102706J99	Cover, Dust
12	0105951N79	Assembly, Knob; includes: *Item 12 Knob *Item 13
13	4205123Q02	Clip, Push; part of item 12
14	0105950N92	Assembly, Knob; includes: *Item 14 Knob *Item 15
15	See Note	*Clip, Push; part of item 14
16	1305676R01 or 1305676R02	Escutcheon (2-Freq. Radios)  Escutcheon (6-Freq. Radios)
17		*Pin, Contact (P7); (not field replaceable, order top control panel assembly 0105951N41)
18	0405218Q01	Washer
19	0205163Q01	Nut, Spanner
20	0405162Q01	Washer, Flat
21	0205765L02	Nut, Spanner
22	0405216L04	Washer, Flat
23	0300136785	Screw, Phillips Hd., 4-40 x 3/16"
24	0484345A06	Washer, Seal
25	0205629L02	Nut, Hex; 2 req'd
26	0405162Q02	Washer, Flat; 2 req'd
27	3205141Q02	Gasket, "O" Ring
28	See Note	*Bushing, Antenna; part of item 6
29	See Note	*Lug, Antenna; part of item 6
30	4805729G24	LED, Bicolor (CR413A/CR413B)
31	3205157Q01	Seal, LED
32	4605159Q01	Stud, Insert; part of item 6
33	3205082E01	Gasket, "O" Ring
34	0300132342	Screw, Phillips; 2-56 x 1/4"

REF. NO.	PART NO.	DESCRIPTION
35	4005148Q05	Switch, Frequency (S2)
36	3205141Q03	Gasket, "O" Ring
37	1805100Q04	Switch/Pot, On-Off/Volume (S1/R140)
38	4005101Q01	Switch, PL (S3)
39	0300140369	Screw, Flat Hd.; 2-56 x 1/8"
40	See Note	*Insert, Frame; part of item 1
41	4605945K05	Contact Stud, Battery
42	3905127Q01	Contact, B+
43	3205082E24	Gasket, "O" Ring
44	0705830C02	Support, Contact
45	3905421C13	Contact, Battery
46	2905124Q01	Lug
47	0400002625	Lockwasher, Split #2
48	4105944K01	Spring, Battery Latch
49	5505536P01	Latch
50	0300139444	Screw, Phillips Hd.; 2-56 x 3/32"
51	3205082E03	Gasket, "O" Ring
52	6505214E05	Fuse (F1)
53	0400009761	Lockwasher, Split #4
54	0305941K01	Screw
55	6405531P02	Plate, Base
56	3805236Q01	*Actuator, PTT part of item 2
57	4505535P01	Lever, PTT
58	4205534P01	*Retainer, PTT part of item 2
59	6405186Q01	*Plate, Actuator Button; part of item 2
60	3805187Q01	*Button, Actuator; part of item 2
61	0305137Q04	Screw, Phillips; 4-40 x 1/2"
64	See Note	*Seal, Dome (PTT); part of item 67
65	See Note	*Seal, Dome, (Mon); part of item 67
66	See Note	*Contact, Snap Dome; part of item 67
67	0105951N40	Assembly, B+ PTT Flex; includes: *Item 67 Flex *Items 64, 65, and 66
68	1505533P01	Housing, VCO
70	1300139939	Screw, Flat Hd.; 2-56 x 3/32"
74	2605775R02	Shield, Main Back
75	0300136772	Screw, Phillips Hd.; 2-56 x 3/16"
76	----	Not used
77B	----	Not used
77C	2605578P02	Heatsink (Low Power Models)
78	See Note	*Tubing, Heat Shrink; part of item 98
79	0300138620	Screw, Phillips; 2-56 x 3/16"
80	See Note	*Header, part of item 9
81	1405753R01	Insulator, Front Shield
82	2605711R03	Shield Front
83	1405264Q01	Insulator, Flex
84A	See Note	*Jack (J2), part of item 9
84B	See Note	*Jack (J1), part of item 9

REF. NO.	PART NO.	DESCRIPTION
85A	See Note	*Jack (P2), part of item 86
85B	See Note	*Jack (P1), part of item 88
86	REX1074A	Assembly, Volume Pot Flex; includes: *Item 86 Volume Pot Flex *Items 85A and 106
88	0105956M68	Assembly, Frequency Switch Flex; includes: *Item 88 Frequency Switch Flex *Item 85B
89A	See Note	*Jack (J3), part of item 9
89B	See Note	*Jack (J4), part of item 9
90	See Note	*Jack (J5), part of item 9
91	3205141Q01	Gasket, "O" Ring
92	4205140Q01	Clamp, Speaker
93	1405135P01	Insulator, Microphone
94	See Note	*Flex, Microphone; part of item 98
95	5005155Q03	Speaker (LS1)
96	4205139Q01	Retainer, Microphone
97	See Note	*Boot, Microphone; part of item 98
98	0105956M62	Assembly, Microphone; includes: *Item 98 Microphone *Items 78, 94, 97, 98, and 103
99	7505582P01	Pad, Microphone Boot
101	0300138620	Screw, Flat Phillips Hd.; 2-56 x 3/16"
102	3505143Q04	Felt, Speaker
103	See Note	*Plug (P5), part of item 98
105	----	Not used
106	See Note	*Sockets (J7), part of item 86
107	3905509R02	Contact, 3 req'd
108	0405534R01	Washer, Flat
109	540_244J06	Label, Instruction
110	2605494R01	Shield, I-F
111	1405496R01	Insulator, I-F Shield
112	3905130N01	Contact Strip
113	2605573S01	Shield
114	1405299Q01	Insulator, Speaker
115	0300136771	Screw, Phillips; 2-56 x 3/16"
117	7505501R02	Pad, Speaker
118	2605762R01	Shield, Controller Flex
120	0305103S01	Screw, Captive
121	7505501R03	Pad, Front Cover
122	2605123S01	Shield, Back

NOTE: \*Not field replaceable, order parent Assembly.



**MOTOROLA**

*HT600 Series*

# Portable Accessories

## CHARGERS

### Rapid/Regular Rate Desktop Chargers

A variety of chargers are available to fit the charging capabilities of your batteries. Choose rapid or regular rate, single unit chargers. The rapid chargers are equipped with red and green lights to indicate rapid charging or charge complete. All desktop units will accept any of the three battery sizes, with or without radio attached.

**NTN4636A**  
Desktop, Regular Charge Rate, 220V, 50-60 Hz, (supplied with 2 prong plug)

**NTN4633C**  
Desktop, Rapid Charge Rate, 117V



NTN4633C

**NTN4634B** Desktop, Rapid Charge Rate, 220V, 50-60 Hz, (supplied with 2 prong plug)

### Compact Chargers

The compact charger provides a 16 hour charge rate. The charger's small size and weight make it ideal for users who occasionally charge their radio at home.

**NTN4666B** Compact, Regular Charge Rate, 117V

**NTN4667A** Compact, Regular Charge Rate, 220V, 50-60 Hz, (supplied with 2 prong plug)



NTN4666B

**NTN4635B** Desktop, Regular Charge Rate, 117V

## CHARGERS

### Multi-Unit Chargers

**NTN4668B** Multi Unit Desktop, Rapid Rate, 117V AC, 50-60 Hz



NTN4668B

**NTN4922B** Multi-Unit 220V, Rapid Rate



NLN7967A

**NLN7967A** Wall Mount for 6 Unit Charger

### Vehicular Chargers

**NTN5438A\*** 12V DC, Vehicular Charger (16 hour charge rate) PAC-RT compatible

**NKN6428A** 12V Cable Kit. (Only required if not used with a PAC-RT/mobile system)

**NTN5368A** RF Adapter (Utilizes universal connector, incompatible with audio accessories)



NTN5368A

**NKN6408A** RF Cable Kit (Does not include antenna)



NKN6408A

\*Not compatible with Kits NKN6149A, NKN6150A and NKN6151A.



**MOTOROLA**

*HT600 Series*

## Portable Accessories

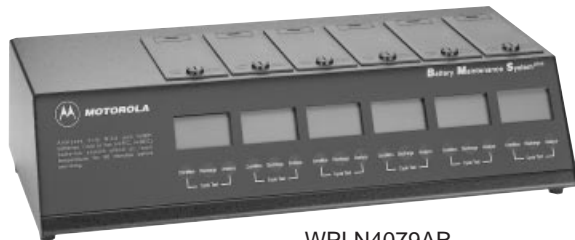
### BATTERY MAINTENANCE SYSTEM<sup>PLUS</sup> (BMS Plus)

Using interchangeable battery adapters (sold separately), the BMS Plus is capable of charging and discharging, analyzing, conditioning and cycle test on batteries; tracking battery voltage and capacity (mAh).

The BMS Plus offers a 3 year warranty. Its easy-to-use design supports hundreds of 2-way, cellular, and camcorder batteries with printer port\* (Serial-RS-232C port – uses female 9-pin to male 25-pin cable).

**WPLN4079AR** Six Station, 110V AC, 50/60 Hz

**WPLN4080AR** Six Station, 230V AC, 50/60 Hz



WPLN4079AR

#### Adapter

**TDN9441A** Standard Adapter, HT600

### BATTERY OPTIMIZING SYSTEM (BOS)

The Battery Optimizing System accommodates NiCD, NiMH, Li-Ion, and SLA. Four independent stations for simultaneous service of 4 batteries. Reads battery capacity in percentage of nominal rating; verifies voltage; measures battery temperature and displays battery impedance in milliohms. (Adapter sold separately).



**WPLN4071AR** 4 Station, 110V AC, 50/60 Hz

**WPLN4071AR**

**WPLN4073AR** 4 Station, 230V AC, 50/60 Hz

#### Adapters

**RL-71173** Standard Adapter, HT600

\*Compatible with the STAR Micronics SP200 series printers, available from any STAR Micronics distributor, and other printers with STAR emulation.

### MOTOROLA CONDITIONING CHARGER (MCC)

The MCC will help extend battery life and enhance battery operation. It will safely condition and charge your specified Nickel Cadmium (NiCD) and Nickel Metal Hydride (NiMH) batteries in approximately an hour.

**WPPN4009AR** 110V AC Base Charge Unit with Adapter Plate

**WPPN4010AR** 220V AC Base Charge Unit with Adapter Plate

**3080384G15** Cigarette Lighter Adapter Cord

#### MCC Multi-Unit Conditioning Chargers

**WPPN4074AR** Four-station, 110V with permanent adapter plates

**WPPN4075AR** Four-station, 220V with permanent adapter plates

### BATTERY DISCHARGE TESTER

Tester determines a battery's delivered capacity by discharging a fully charged battery. 'LED' indicates cycle status by turning "ON" when fully charged battery is placed in adapter and "OFF" when discharge is complete. Plug-in adapters allow one console to discharge most batteries. No AC power source required (console is powered by discharging battery).



RLN4201B

**RLN4201B** Single Unit Battery Discharge Tester, Requires Battery Adapter or Cable/Clip

Lead

**RLN4047A** Battery Adapter, HT 600

**RKN4038A** Cable/Clip Lead, 10V



# MOTOROLA

## HT600 Series

# Portable Accessories

### BATTERY ELIMINATOR

The Battery Eliminator saves battery life by drawing power from the vehicle's battery while providing overvoltage protection. Use by sliding eliminator onto radio in place of battery and plugging adapter into cigarette lighter.



RLN4265A

RLN4265A Battery Eliminator, Coil Cord, Cigarette Lighter Adapter

### CARRYING ACCESSORIES

#### Carrying Cases

A variety of carrying accessories are available for your comfort and convenience. The carrying cases are made of top quality leather and are available in sizes designed to fit your radio and battery. Cases are available with standard belt loop or swivel back covers, with a restraining T-strap.



NTN5460B

#### Standard

NTN5460B Leather Carry Case with T-Strap and Spacer, for High or Medium Capacity Battery (Snap)

#### Swivel

NTN5461B Leather Carry Case with T-Strap, Spacer and 2 1/2" Belt Loop, for High or Medium Capacity Battery (Snap)

NTN5883A Leather Carry Case with T-strap, Spacer, and Belt Loop, for High or Medium Capacity Battery (Snap), fits 3" Belt

NTN5450B Leather DTMF Swivel Carry Case, Long (Snap), fits 2 1/4" Belt

NTN5884A Leather DTMF Carry Case, Long (Snap), fits 3" Belt

### CARRYING ACCESSORIES

#### Belt Loops

4282421J06 Swivel Belt Loop, 2 1/2"

4205857B01 Swivel Belt Loop, 2"



4282421J06



NTN4813B

#### Belt Clip

NTN4813B Belt Clip, 1 1/2"

NTN5389B Belt Clip, 2 1/4"

NTN5602A Public Safety Full 3" Clip, Black Aluminum



NTN4814C

#### Belt Clip Carry Holder

NTN4814C Belt Clip Carry Holder, fits 2 1/4" Belt

NTN5827A Belt Clip Carry Holder, fits 3" Belt

#### Portable Radio Hanger

The portable radio hanger slides over and hangs from the door panel in a vehicle. The radio's belt clip slides onto the portable hanger allowing convenient, easy mounting. Two sizes are available to fit door panels.

TDN9327A Portable Radio Hanger, for Door Panels up to 2 3/4"

TDN9373A Portable Radio Hanger, for Door Panels 2 3/4" to 3 1/4"



TDN9327A



**MOTOROLA**

*HT600 Series*

# Portable Accessories

## CARRYING ACCESSORIES



NTN5243A

### *Carrying Strap*

NTN5243A Carrying Strap, Black

### *Belt*

4200865599 2" Wide Leather Belt, for all models



4200865599



4205386S01

### *T-Straps*

4205386S03 T-strap, Nylon for Leather Carrying Cases (Snap)

4205386S01 T-Strap, Nylon for Leather Carrying Cases (Velcro)

4205447R03 T-Strap, Urethane, for Carry Holder (Snap)



4205447R03

### *Spacer*

Enables light capacity battery to fit in a small case and medium capacity battery to fit in a medium case. Spacer is included in every carry case.

4305525R02 Spacer (spare)

### *Button Back Cover*

NTN5497A T-Bar Button Back Cover Kit, Black (order swivel belt loop separately)



NTN5497A

## CARRYING ACCESSORIES

### *Universal Carry Accessories*

HLN6602A Universal Chest Pack with Radio Holder, Pen Holder and Velcro Secured Pocket



HLN6602A

RLN4815A Universal RadioPAK™ with Radio Holder. Worn around waist with adjustable belt.

Includes attached 6" by 8" zippered pouch for other job necessities

4280384F89 Universal RadioPAK™ belt lengthener; fits waists larger than 40"

## AUDIO ACCESSORIES

### *Remote Speaker Microphone*



NMN6156B

This speaker microphone provides remote talk and listen capability. By attaching the microphone to the universal connector, you can use the remote speaker microphone to transmit or receive while the radio remains comfortably on the belt in the case.

NMN6145B Remote Speaker Microphone with Clip, Coil Cord and 2.5 mm Earphone Jack

NMN6156B Remote Speaker/ Microphone with Clip and Coil Cord

NTN5493A UHF Public Safety Remote Speaker Microphone with Clip Back and Straight Cord (Order required antenna separately)



**MOTOROLA**

# HT600 Series

## Portable Accessories

### AUDIO ACCESSORIES

**NTN5050A** UHF Public Safety Speaker Microphone with velcro back and straight cord (order antenna and velcro patch separately)

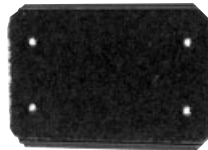
#### Antennas for Public Safety Microphones

**8505355K03** .....400-440 MHz

**8505355K04** .....440-470 MHz

**8505309N11** .....470-512 MHz

**NLN8410A** Velcro pin attachment



NLN8410A

#### Ear Piece

**5083693B01** Earphone and volume control (requires NTN4812B)

**5083693B04** Earpiece and Volume Control (2.5 mm)

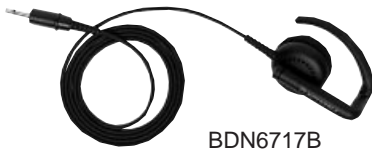
**5880378B84** 2.5 to 3.5 Jack Adapter

**5880380B35** 3.5 to 2.5 Jack Adapter

**NTN4812B** Earphone Jack Adapter

#### Ear Receiver

**BDN6717B** Ear receiver with 3.5 mm plug, to be used with adapter NTN4812



BDN6717B

#### Surveillance

**ZMN6031A** Three wire surveillance accessory with earpiece, microphone and push-to-talk as separate pieces. Factory Mutual Approved. Requires NTN5075B

**ZMN6032A** Two wire surveillance accessory with earpiece, microphone and push-to-talk. Microphone and PTT are combined.

Factory Mutual Approved. Requires NTN5075B

**NTN5075B** Hirose Adapter for Two-and Three-Wire Surveillance Accessories.



ZMN6031A

### AUDIO ACCESSORIES

#### Epaulet Strap

Black leather epaulet straps secure remote speaker microphones to epaulet of shirts or jackets and attach around cord. Allows reliable communications in hostile environments with Velcro or clip style strap.

**RLN4294A** Epaulet Strap, Velcro



RLN4294A

**RLN4295A** Epaulet Strap, Small Clip



RLN4295A

#### Ear Mikes

Single unit microphone and speaker worn in the ear. Eliminates the need for handheld microphones or conventional headsets. Compact, rugged design allows use under hearing protectors and protective clothing. Order cable separately.

**RMN4001B** Ear Mike, EM200



RMN4001B

**0180359A39** Interface Cable for HT600

**0180359A51** Optional PTT Ring Switch for RMN4001A only

**0180356B97** Optional PTT Ring Switch for RMN4001B Only



0180359A51



# MOTOROLA

## HT600 Series

# Portable Accessories

### AUDIO ACCESSORIES

#### Ear Microphone System

This compact unit picks up the voice through bone vibrations in the ear canal. Ideal for use in high noise environments. Available in PTT or Voice activated (VOX) capabilities for total hands free communications. Order Interface Module separately.



BDN6677A

**BDN6677A\*** Ear Microphone for Standard Noise Levels (up to 95 db), Black

**BDN6678A\*** Ear Microphone for Standard Noise Levels (up to 95 db), Beige

**BDN6641A\*** Ear Microphone for High Noise Levels (up to 105 db), Grey



BDN6657B

(shown with BDN6677A)

#### Interface Modules

**BDN6656B\*** Push To-Talk Interface Module

**BDN6657B\*** Voice-Activated Interface Module

#### Optional Accessories

**0180300E25** Earguard with Adjustable Loop

**0180358B38\*** Remote Push-To-Talk Ring Switch



0180358B38

**0180358B32** Earholders, Black, Size Small; Secures microphone in ear

**0180358B33** Earholder, Black, Size Medium; Secures microphone in ear

**0180358B34** Earholder, Black, Size Large; Secures microphone in ear

**0180358B35** Earholder, Clear, Size Small; Secures microphone in ear

**0180358B36** Earholder, Clear, Size Medium; Secures microphone in ear

**0180358B37** Earholder, Clear, Size Large; Secures microphone in ear



0180358B33

**4280369E44** Replaceable Belt Clip with Screws

**5080358B28** Eartips, Black, Size Medium (10 per pack)

**5080358B29** Eartips, Black, Size Large (10 per pack)

**5080358B30** Eartips, Beige, Size Medium (10 per pack)

**5080358B31** Eartips, Beige, Size Large (10 per pack)

### AUDIO ACCESSORIES

#### Headsets

High noise level headset (up to 125 dB) with noise cancelling microphone and push-to-talk switch located on ear cup. Vox module contained within headset on voice activated units. Factory Mutual Approved. NOTE: Can be worn with or without hard hat or fire helmet.



BDN6645A

**BDN6639A** Radio Adapter Cable for BDN6635, BDN6636 and BDN6645

**BDN6645A** Push-To-Talk Headset with Boom Microphone, Requires Adapter Cable.

**BDN6635B** Voice-Activated Headset with Boom Microphone, Requires Adapter Cable, Includes 110V Charger



BDN6636B

**BDN6636B** Voice-Activated Headset with Throat Microphone, Requires Adapter Cable, Includes 110V Charger

**RMN4015A** Lightweight Headset with Swivel Boom Microphone, single speaker and in-line PTT

**0180357B05** Spare Vox Headset Charger

**6881126E79** Instruction Manual for BDN6645A

**6881126E78** Instruction Manual for BDN6635B and BDN6636B

\*Factory Mutual approved





**MOTOROLA**

*HT600 Series*

# Accessories, Antennas

## VEHICULAR ADAPTER

The Basic MVA console kits may be ordered separately. These items allow use of the portable radio in a mobile application. Order antenna separately.



NTN5612A

**NTN5612A** Basic MVA console, includes Power Cables and Mounting Hardware.



NSN6054A

**NSN6054A** 12-watt External Speaker

**HMN1035C** Microphone, Heavy-Duty Palm

**HMN1056D** Microphone, Compact Palm

**HMN3013A** Microphone, DTMF



HMN1056D

## PORTABLE ANTENNAS

### Heliflex Antenna

Motorola Heliflex antennas are specifically engineered for maximum output and greatest communication coverage.

**8505816K01**  
Heliflex Molded, 136-150.8 MHz, 6.5"

**8505816K03**  
Heliflex Molded, 150.8-162 MHz, 6"

**8505816K05**  
Heliflex Molded, 162-174 MHz, 6"

**8505816K07**  
Heliflex Molded, 403-433 MHz, 3"

**8505816K08**  
Heliflex Molded, 450-470 MHz, 3"

**8505816K09**  
Heliflex Molded, 470-512 MHz, 3"



8505816K05



8505816K09

### Flexible Whip

Flexible Whip antennas have a one-piece finish and steel core for optimal radiation characteristics. Provides more comfort when radio is worn on the belt.

**8505247K06**  
Flexible Whip, 403-512 MHz, 5.5"



8505247K06



**MOTOROLA**

*HT600 Series*

# Batteries, Tools

## PORTABLE BATTERIES

### Nickel-Cadmium



NTN5414BR

Part Number: **NTN4564B**  
Charge: Rapid  
Volts: 10V  
Avg. MAH: 550  
Height: 2<sup>7</sup>/<sub>16</sub>"  
FM Rating: IS

Part Number: **NTN4584BR**  
Charge: Rapid  
Volts: 10V  
Avg. MAH: 630  
Height: 2<sup>7</sup>/<sub>16</sub>"  
FM Rating: NI

Part Number: **NTN5414BR**  
Charge: Rapid  
Volts: 10V  
Avg. MAH: 1100  
Height: 3<sup>5</sup>/<sub>16</sub>"  
FM Rating: NI



NTN4564B

Part Number: **NTN5415B\***  
Charge: Rapid  
Volts: 10V  
Avg. MAH: 1000  
Height: 3<sup>5</sup>/<sub>16</sub>"  
FM Rating: IS

### Nickel Metal Hydride



NTN7016A

Part Number: **NTN7016A**  
Charge: Rapid  
Volts: 10V  
Avg. MAH: 950  
Height: 2<sup>7</sup>/<sub>16</sub>"  
FM Rating: (NA)

## ALIGNMENT TOOL

**6605106N01** Tuning Tool, Adjusts Tunable Coils, Preselector, Reference Oscillator Frequency and Trimmer Capacitors



6605106N01

## SERVICE TOOLS



RSX4043A

**RSX4043A** Torque Screwdriver, Order Bits Separately

6680371B34

6680321B86

**6680321B86** #0 Phillips Bit for Radio Screws

**6680321B79** #1 Phillips Power Bit for Radio Screws

**6680370B95** Spanner Tool Bit for Toggle Switch Nut

**6680371B34** Spanner Bit for Antenna Bushing

**6680371B03** Nut Driver Bit for Volume Control and Frequency Select Switch

\*Factory Mutual approved for Intrinsically Safe Models



**MOTOROLA**

# HT600 Series Service Aids

## SERVICE AIDS

### Battery Eliminator

The Battery Eliminator acts like a battery with a cable to access a DC external power supply. It is ideal to inspect transmitters and receivers on incoming radios. Reverse supply polarity protection and input fuse protection are provided.



RTL4226B Battery Eliminator

RTL4226B

### Battery Adapter

Replaces radio housing during servicing and provides easy mounting for battery eliminator, RTL4226B.



1580368B62 Battery Adapter

1580368B62

### Cloning Cable

Enables the frequencies, squelch codes, squelch and deviation settings to be duplicated from one radio to another. Only identical models and sub-models are compatible for cloning.



NKN6376A

NKN6376A  
Cloning Cable

### Antenna Adapters

NTN5368A Adapter for HT600

NKN6408A Cable Adapter for HT600

## SERVICE AIDS

### Radio Test and Programming Cable

Used with Portable Radio Test Set, RTX4005, for transmitter, receiver alignment and performance checks. Also used in programming radio.



RTK4205C

RTK4205C Test and Programming Cable

### Radio Interface Box

Links radio programming cable and computer interface together. Provides required voltage shift to enable communications between radio and computer. Requires computer interface cable, radio test and programming cable, and a 9 volt snap type battery (6082728J01), order separately.



RLN4008B

RLN4008B Radio Interface Box

### Computer Interface Cable

Used to connect computer's serial adapter to radio interface box.

3080369B71 Cable, RIB to 25 pin D

3080369B72 Cable, RIB to 9 pin D



3080369B71

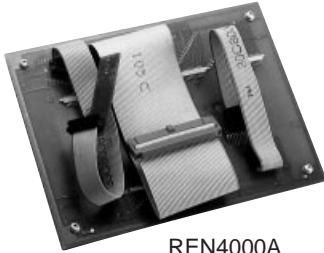


**MOTOROLA**

*HT600 Series*

# Service Aids, Manuals

## SERVICE AIDS



REN4000A

### **Controller Flex Extender**

Allows access to all electrical points on the controller flex and the interior of the RF board for troubleshooting purposes.

**REN4000A** Controller Flex Extender

### **Wall Mounted Power Supply**

Used to supply power to the radio interface box, RLN4008B

**0180357A57** Wall Mounted Power Supply, 110 Volts

**0180358A56** Wall Mounted Power Supply, 220 Volts



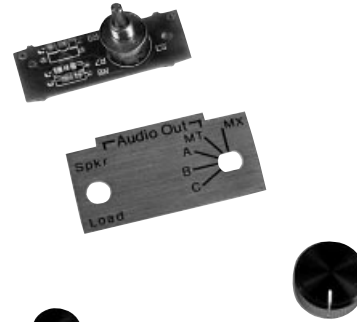
0180357A57

## SERVICE AIDS

### **Field Modification Kit**

Allows for quick field modification of RTX4005 "A" test sets to provide operation with the HT600 Radio.

**RPX4665A** Field Modification, RTX4005A



RPX4665A

### **Programming Aid**

Enables programming of the DTMF pad from outside of HT600 DTMF optioned radios.

**0180358A59** Programming Aid

### **Programming Software**

Utilizing your personal computer, this software enables you to add or reprogram frequencies as your requirements change. Compatible with IBM, XT, AT, Model 30 50, 60 and 80. Requires Radio Interface Box and proper cables, order separately.

**RVN4005G** Programming Software, 3 1/2" diskettes (includes manual and software box)

## SERVICE MANUALS

**6881065C75** Service Manual